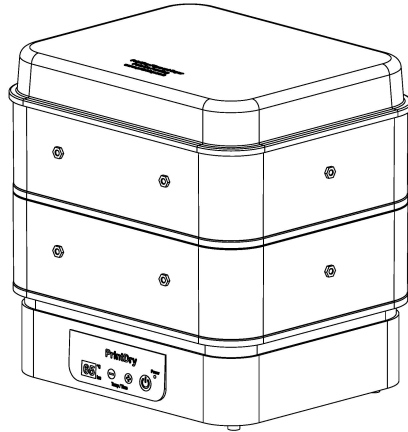


PrintDry

Filament Dryer Specifications

Model 2003



PrintDry Filament Dryer (Model 2003) is used to dry and feed filament material for 3D printing. It has the following specifications.

Models	FD2003-120, FD2003-220
Power Supply	110-120VAC, 60Hz, 300W (Model 2003-120) 220-240VAC, 50Hz, 300W (Model 2003-220)
Dryer Temperature*	35-75°C with 10°C increment (95-167°F)
Weight	4.5 Kg (8.5 lbs)
Dryer Dimensions	32(W) x 26(L) x 35(H) cm (13x11x16")
Max. Drying Time	8 Hours (Continuously)
Spool Dimensions	Outside Diameter 100-300mm (4-12")
	Height 25-150mm (1-6")
	Mount Hole Diameter 19-58mm (3/4 - 2.3")
	Max. Weight 5Kg (8.8 lbs)

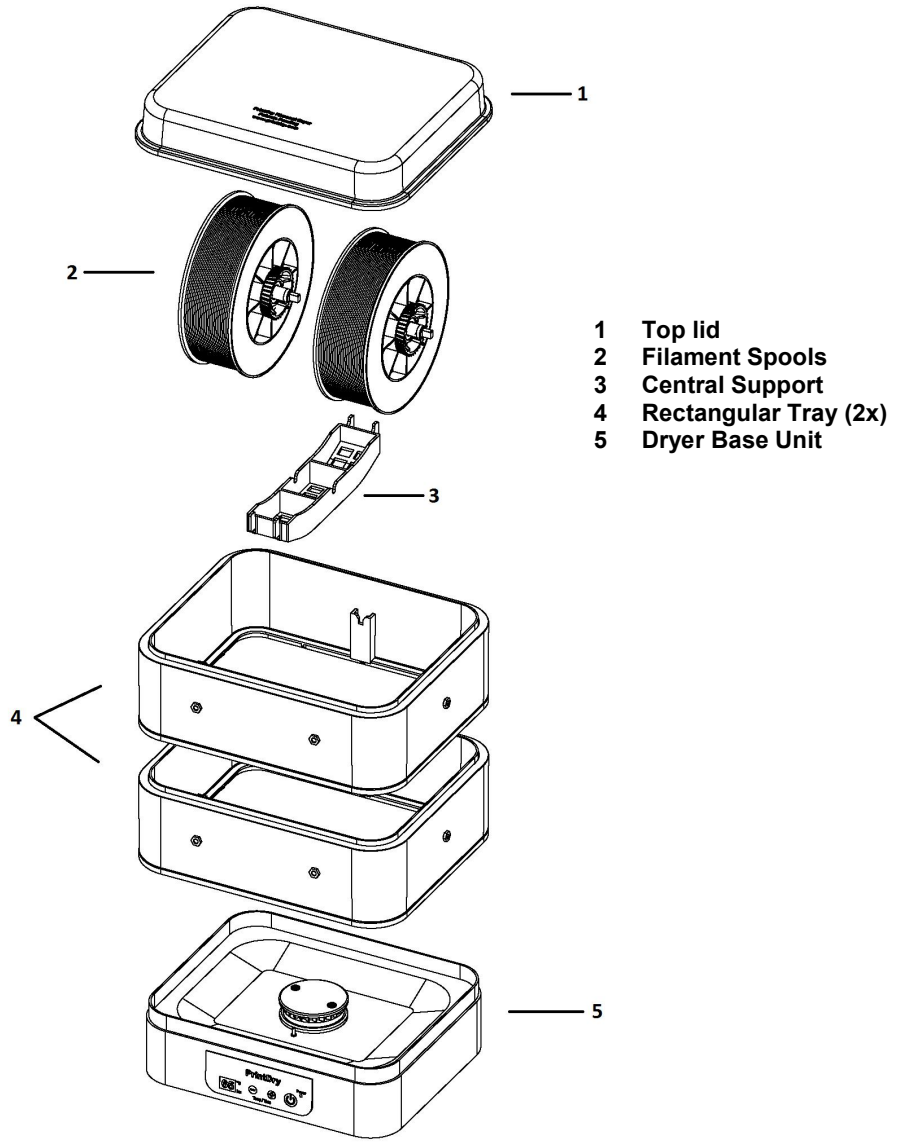


Fig.1 PrintDry Filament Dryer