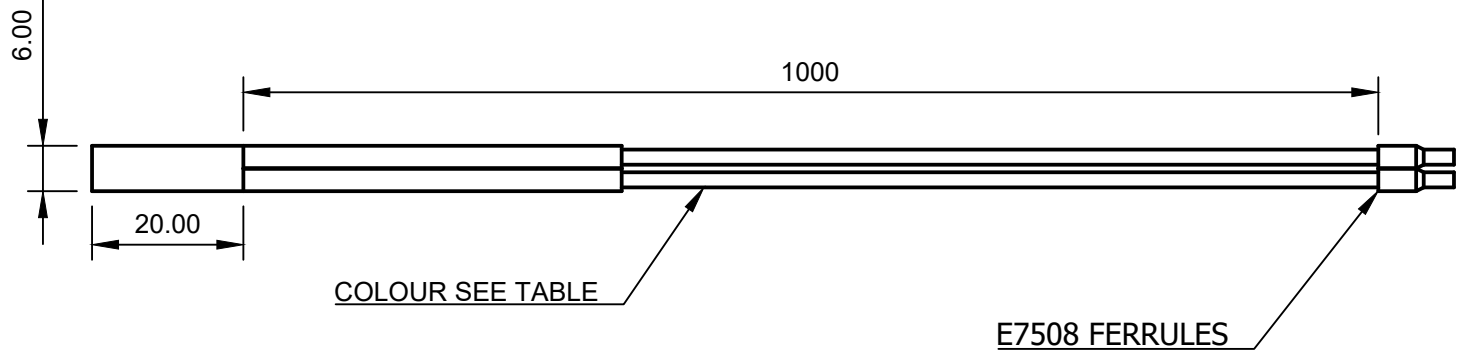


REVISION			
REV	DESCRIPTION	DATE	APPROVED
5	SPECS UPDATED	18/06/2018	ST



HEATER CARTRIDGE SPECS					
SKU	NOMINAL VOLTAGE	NOMINAL POWER	MIN RESISTANCE	MAX RESISTANCE	WIRE COLOUR
E-HEATER-12V-30W	12V	30W	4.2	5.7	BLUE
E-HEATER-12V-40W	12V	40W	3.1	3.8	RED
E-HEATER-24V-30W	24V	30W	16.7	22.6	YELLOW
E-HEATER-24V-40W	24V	40W	12.3	15.1	WHITE

Copyright (C) E3D-Online Ltd (e3d-online.com)

These drawings are free hardware: you can redistribute it and/or modify it under the terms of the GNU General Public License as published by the Free Software Foundation, either version 3 of the License, or (at your option) any later version.

**NOT TO SCALE**

Dept. Engineering	Technical reference	Created by ST	18/06/2018	Approved by RY	18/06/2018
		Document type Production	Document status Approved		
		Title Heater Cartridges All	DWG No. E-HEATER ALL		
Rev. 5	Date of issue 18/06/2018	Sheet 1/1			